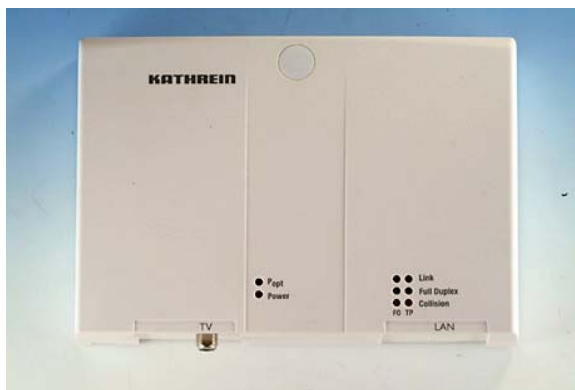


## Product Information

### Optical Network Termination Unit for FttH-Networks

- |            |          |                                |
|------------|----------|--------------------------------|
| • FMB 100  | 25810005 | Fibre Management Box (Housing) |
| • ORC 100  | 25810008 | Optical Receiver               |
| • MCO 110S | 25810009 | Media Converter                |
| • NCF 100  | 25810006 | Power Supply                   |
| • DCK 100  | 25810007 | Voltage Converter              |



### Features

- Modular Design
- Housing with integrated fibre tray
- Prepared for on-wall or through-wall fibre insertion
- Designed for two separate fibres for TV/Radio and Data
- Optical Receiver for analogue and digital TV/Radio signals:
  - Wavelength 1300-1600 nm
  - Constant optical source control
  - Excellent output parameters for in-house signal distribution
- Media Converter for bi-directional data transmission acc. to IEEE 802.3u
  - Transmission and reception via one Singlemode fibre <sup>1)</sup>
  - Optical link distance up to 15 km
  - 100 MBit/s optical and electrical data speed
  - Auto negotiation
  - Auto cross-over
  - Electrical link distance up to 100 m
- LEDs for status and error control
- Low power consumption due to an optimized voltage supply concept
- Easy module insertion or change
- Compact dimensions: 183x125x38 mm (WxHxD)
- Protection against manipulation by seal

<sup>1)</sup> Other versions on request

**Technical specification****Optical Receiver**

<b>Type</b>	<b>ORC 100</b>	
Order no.	25810008	
<b>Optical data</b>		
Fibre type	Singlemode (1 fibre)	
Wavelength	1300-1600	nm
Optical input power	-7...-3 <sup>1)</sup>	dBm
Optical connector	E2000 <sup>2)</sup>	
<b>Elektrical data</b>		
Frequency range	47-862	MHz
Output level	75	dBµV
Equivalent input noise current	7	pA/√Hz
Intermodulation ratio <sup>3)</sup>		
CSO	68	dB
CTB	80	dB
Nominal voltage	8	VDC
Power consumption	2	W

<sup>1)</sup> Lower input power possible by accepting lower output level.

<sup>2)</sup> SC/APC on request.

<sup>3)</sup> Output level 75 dBµV; 42 channels, CENELEC plan, acc. to EN 50083-3.

**Media converter**

<b>Type</b>	<b>MCO 110S</b>	
Order no.	25810009	
<b>Optical data</b>		
Fibre type	Singlemode (1 fibre)	
Interface	100BaseF	
Wavelength		
Transmitter	1310	nm
Receiver	1550	nm
Optical connector	SC	
Max. optical link distance	15	km
<b>Electrical data</b>		
Interface	100BaseT	
Datarate Ethernet	100	MBit/s
Max. electrical link distance	100	m
Nominal voltage	3,3	VDC
Power consumption	1,5	W

**Voltage converter**

<b>Type</b>	<b>DCK 100</b>	
Order no.	25810007	
Input voltage	8	VDC
Output voltages	8 <sup>4)</sup>	VDC
	3,3	VDC

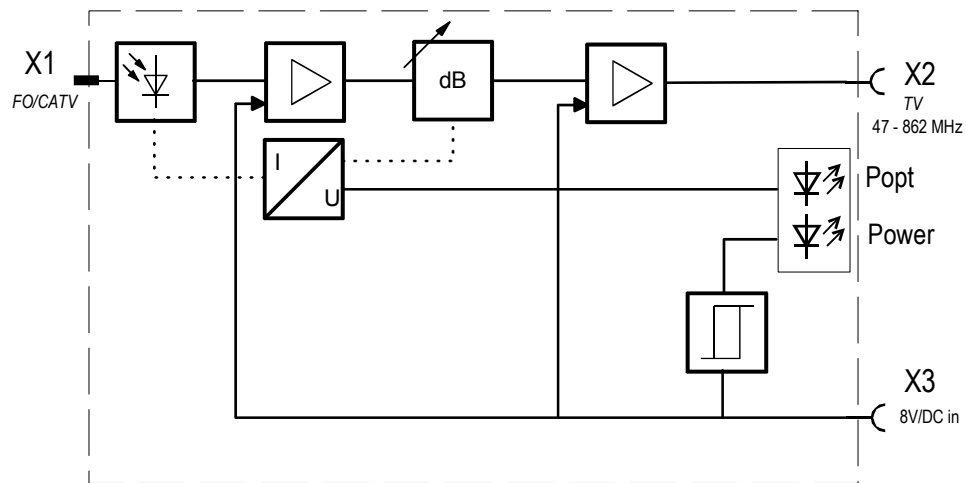
<sup>4)</sup> Input voltage looped through.

**Power supply**

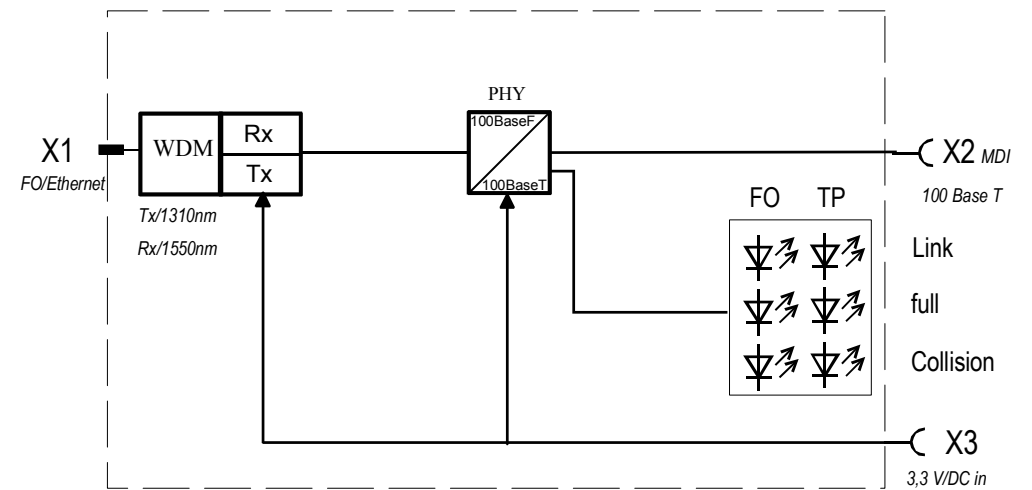
<b>Type</b>	<b>NCF 100</b>	
Order no.	25810006	
Input voltage	198-253	VAC
Output voltage	8	VDC
Max. output current	0,85	A

## Block diagrammes

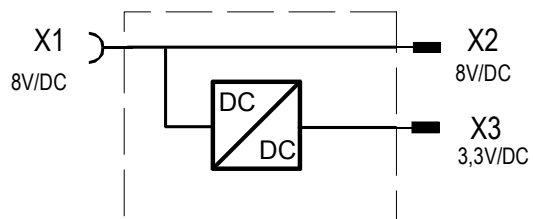
### Optical Receiver ORC 100:



### Media Converter MCO 110S:



### Voltage Converter DCK 100:



Technical data subject to change without notice.