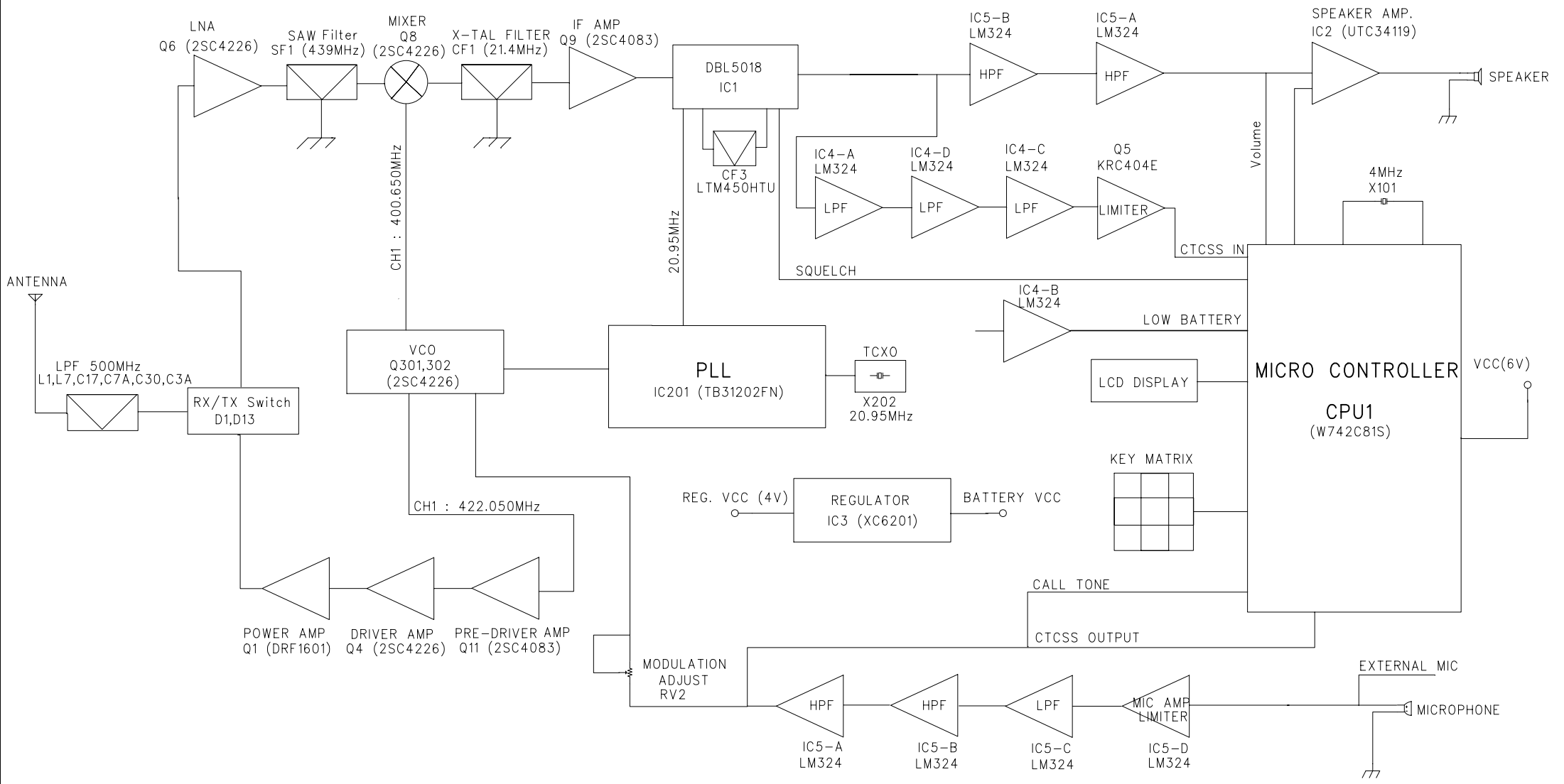


ALAN-777 BLOCK DIAGRAM



BLOCK DIAGRAM				
Title	ALAN777_BLK.SCH			
Drawn	Sheet	Drawing No	PCB No	REV