

electrical data:

impedance	50 ohms
frequency range f/GHz	$0 < f \leq 1$   $1 < f \leq 2.5$
VSWR	$\leq 1.06$   $\leq 1.11$
static sparkover voltage	90 V
insertion loss	$\leq 0,1$ dB
impulse discharge current	25 kA single / 20 kA multiple (test pulse 8/20 $\mu$ s)
average power	35 W

material and surfaces:

inner conductor	copper alloy/silver-plated
outer conductor	copper alloy/silver-plated
other metal parts	copper alloy/bright nickel-plated
insulation	PTFE
sealing	silicone rubber

temperature range:

-40°C to +85°C

version:

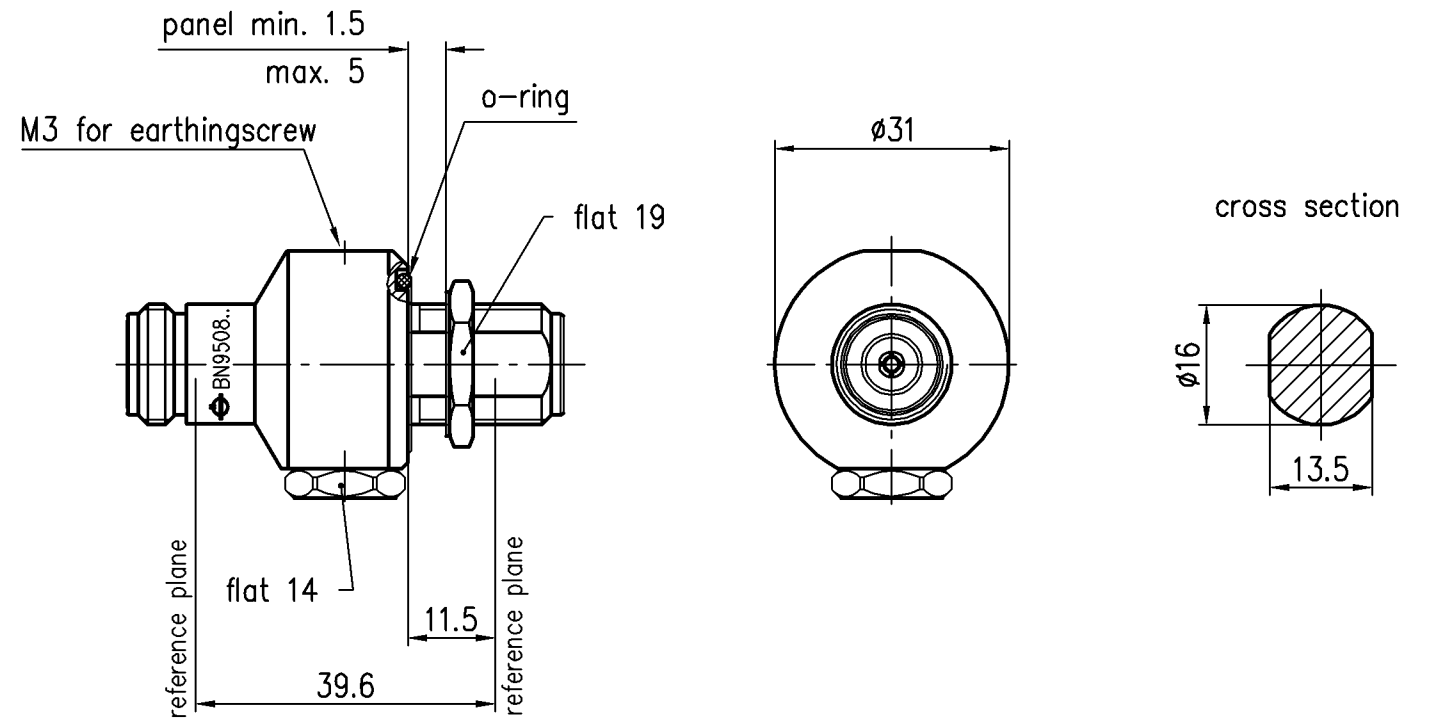
panel sealed

degree of protection:

IP67 (in mated conditions)


standards:

CECC 22210, IEC 169-16



(dimensions in mm)

modifications reserved

DIMENSIONS WITHOUT TOLERANCES ACCORDING DIN ISO 2768-m PART 1				DATE	NAME	DESIGNATION: fixed adaptor (50 ohms) female - female with EMP protector (gas filled)	
				DRAWN	13.05.2002		Peinemann
				WROUGHT	28.07.2005		Kriwanek
				CHECKED	29.07.2005		Landingner
L	DIV.CORR.	28.07.2005	Kriwanek	 Spinner GmbH Erzgiessereistr. 33 80335 München Germany		DRAWING-NR.:	
K	nd.anqep.	13.05.2002	Peinemann				950854-0E
ISS.	MOD.NR.	DATE	NAME			FORMAT	SCALE
						A3	1:1